

# Electrical Drawing



[www.cantekamerica.com](http://www.cantekamerica.com)

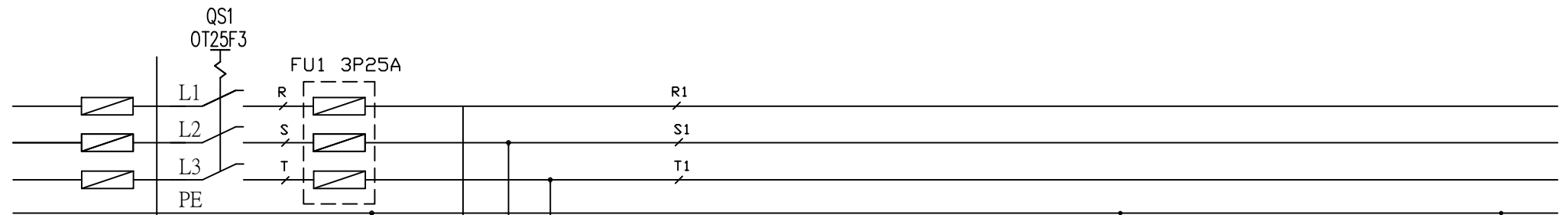


# CN600

CNC Dovetailer

Please ensure you have your serial number available when contacting us for parts or service.

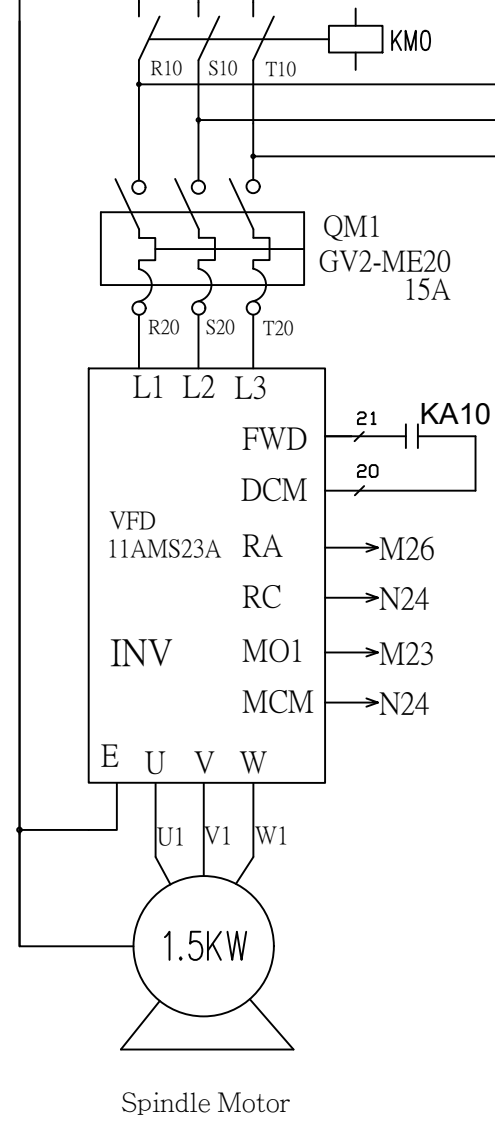
Cantek America Inc. | 1.888.982.2683 | **Parts:** [sales@cantekamerica.com](mailto:sales@cantekamerica.com) | **Service:** [service@cantekamerica.com](mailto:service@cantekamerica.com)



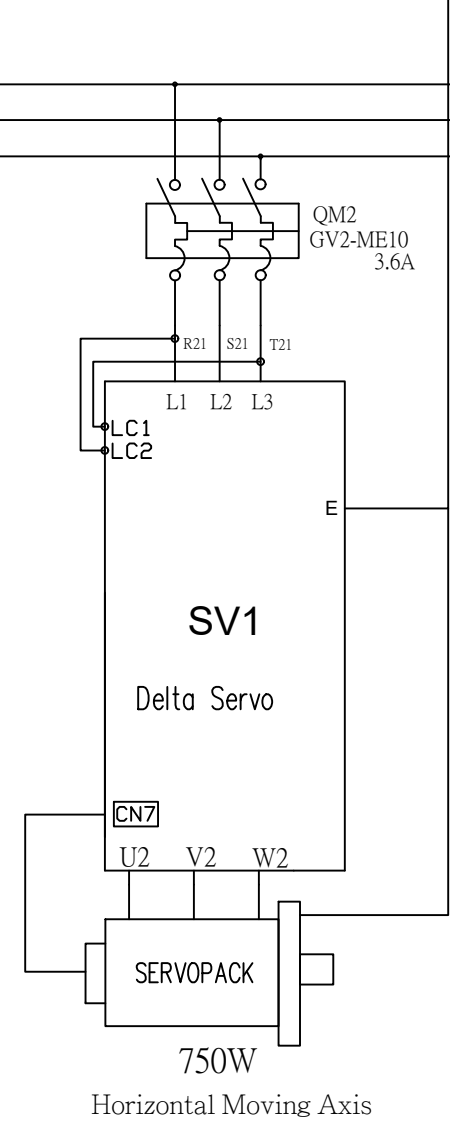
LIMIT OF EQUIPMENT

POWER SUPPLY: 3~60HZ 230V  
 WIRES: 5.5mm\*4 PE  
 RECOMMENDED FUSE: 25A

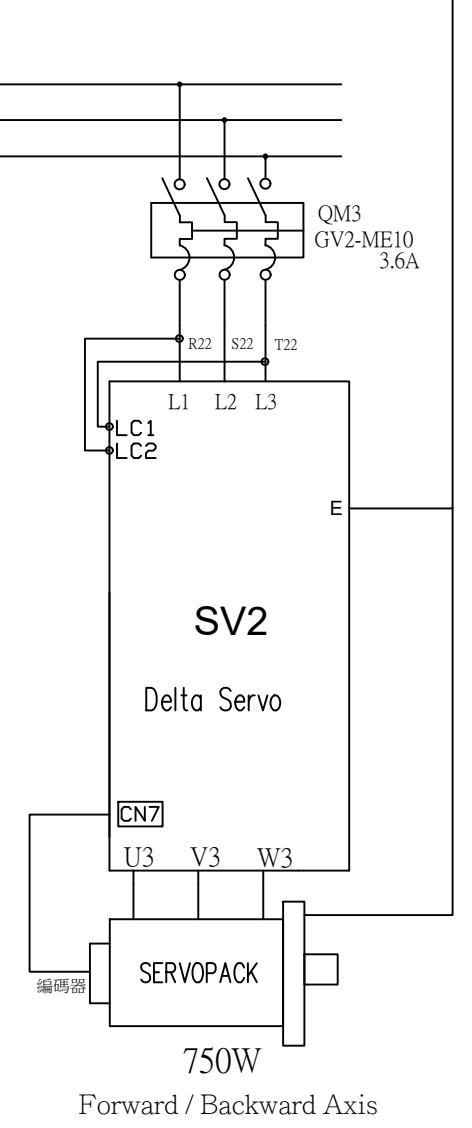
Parameter	
00-02	10
00-20	1
00-21	1
00-30	1
00-31	1
01-00	333
01-01	333
01-02	220
01-12	4
01-13	5
09-00	1
09-01	9.6
09-04	1
02-16	2



Spindle Motor



Horizontal Moving Axis



Forward / Backward Axis

